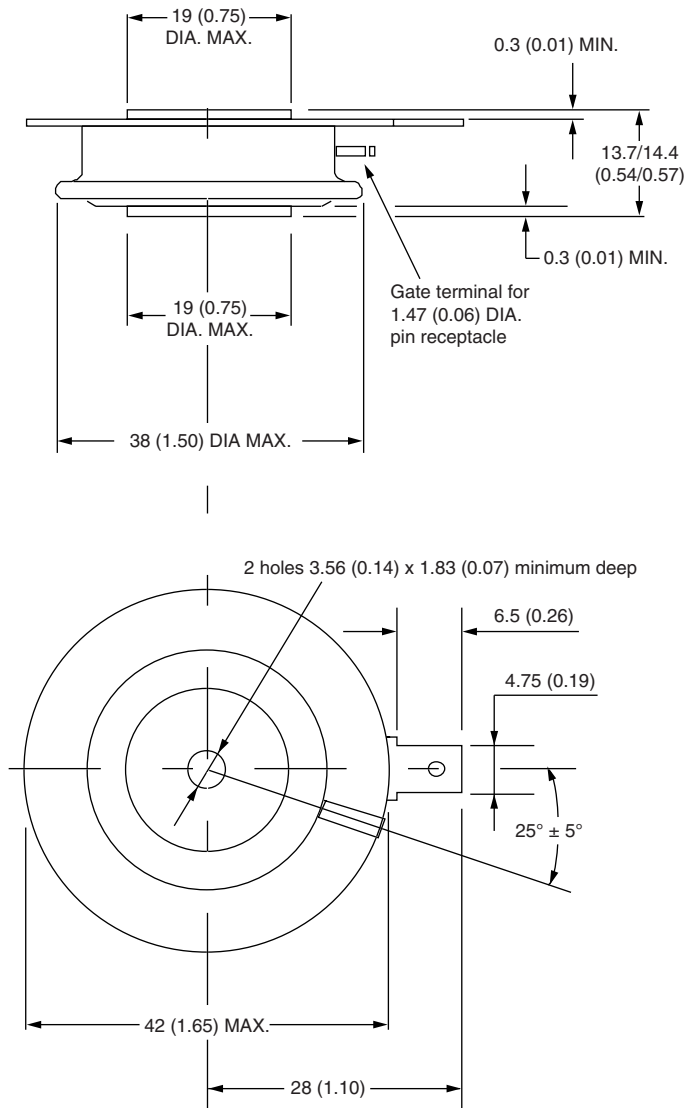


TO-200AB (A-PUK)

DIMENSIONS in millimeters (inches)

Case Style TO-200AB (A-PUK)

Anode to gate
 Creepage distance: 7.62 (0.30) minimum
 Strike distance: 7.12 (0.28) minimum



Quote between upper and lower pole pieces has to be considered after application of mounting force (see thermal and mechanical specification)